

# MOVING TECHNOLOGIES



## POSIFIL® - PF

COLUMN PFC



FIXED OVERHEAD PFF



OVERHEAD TROLLEY MOUNTED PFS

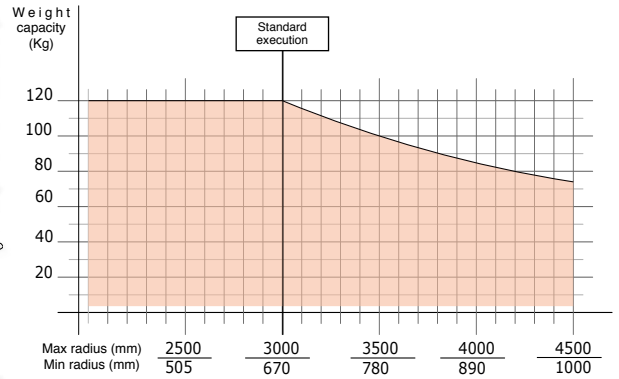
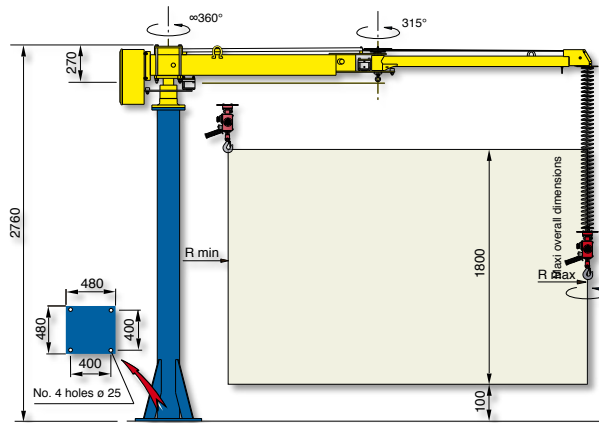


 **dalmec**  
Industrial Manipulators

### Pneumatic Manipulator POSIFIL PF with double cable

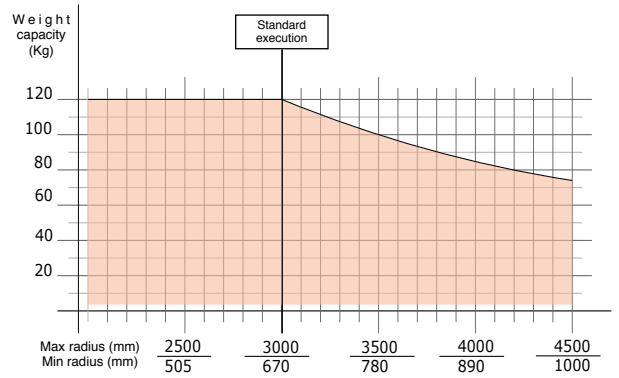
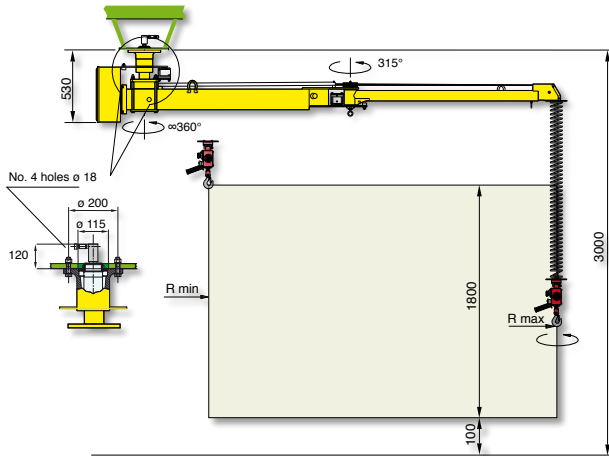
POSIFIL PF, equipped with special gripping tools, allows to handle loads in a weightless condition in any direction. The gripping tool is connected to the balancing group through two single steel cables to guarantee max safety. The particular double arm structure and middle joint makes it easy to operate within the entire working area.

## Posifil column mounted - PFC

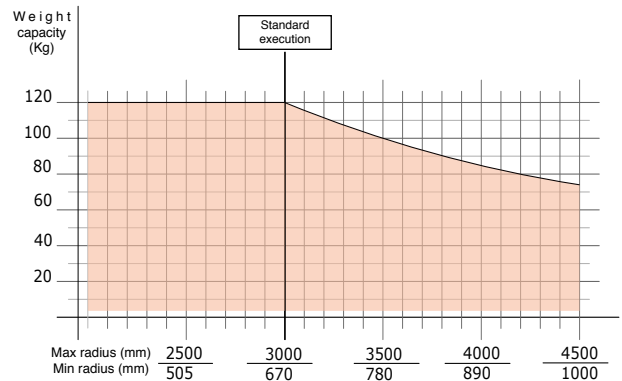
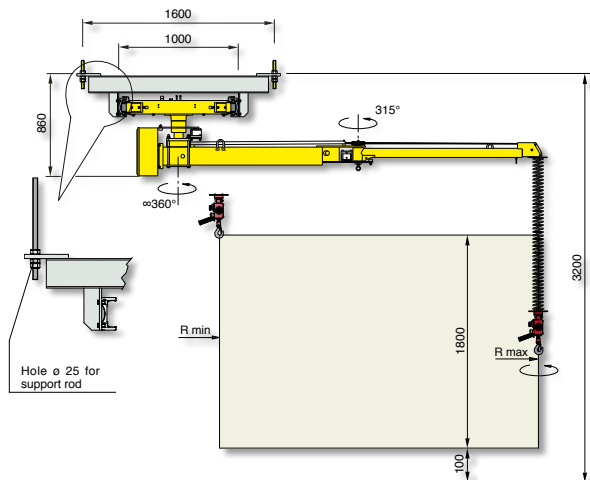


Structural versions: column mounted on fixed base-plate, autostable base-plate of our supply properly dimensioned.

## Posifil overhead mounted - PFF



## Posifil overhead trolley mounted - PFS



Air supply: Dry and oil-free compressed air min constant 0.7÷0.8 MPa