

MOVING TECHNOLOGIES



PARTNER® - PS

COLUMN PSC



FIXED OVERHEAD PSF



OVERHEAD TROLLEY MOUNTED PSS



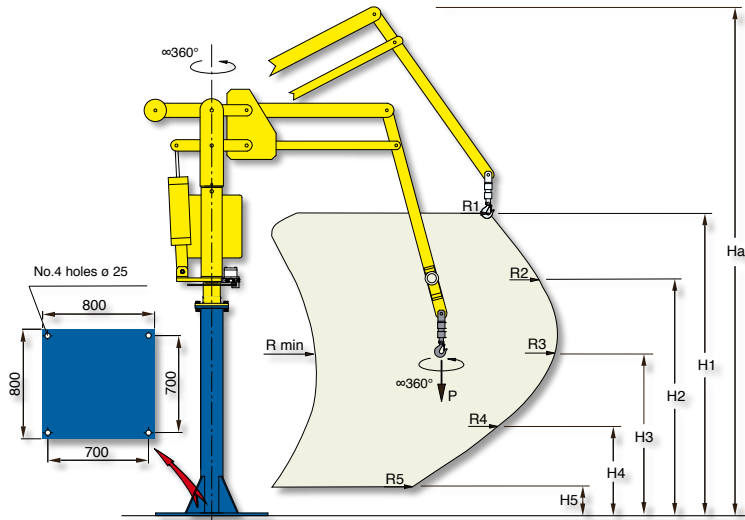
 **dalmec**
Industrial Manipulators

Pneumatic Manipulator PARTNER PS with rigid arms

PARTNER PS is a good working assistant for the operator that can work quickly, with precision and without any effort, in excellent ergonomic and safety conditions.

Equipped with special gripping tools, it is particularly suitable to manually handle loads in a weightless condition in any direction.

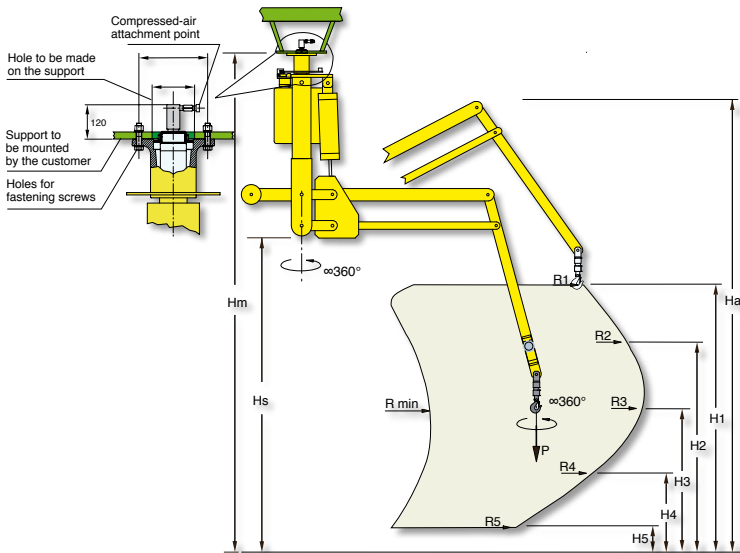
Partner PS column mounted - PSC



Structural versions: column mounted on fixed base-plate, autostable base-plate of our supply properly dimensioned or with autostable motorised trolley that translates on a simple profile track on the floor.

PARTNER PS column mounted "PSC"				
		Normal	Extended	Reinforced
Max weight capacity (P)	Kg 100			
	Kg 150			
	Kg 200			
	Kg 250			
Ha	mm	3700	3800	4050
R min	mm	600	800	1000
R1	mm	1900	2100	2650
R2	mm	2200	2500	2900
R3 max	mm	2200	2500	2900
R4	mm	1800	2200	2550
R5	mm	1300	1800	2150
H1	mm	1900	2000	2000
H2	mm	1500	1500	1370
H3	mm	1000	1000	950
H4	mm	500	500	550
H5	mm	150	100	100
Air supply		Dry and oil-free compressed air min constant 0.7÷0.8 MPa		

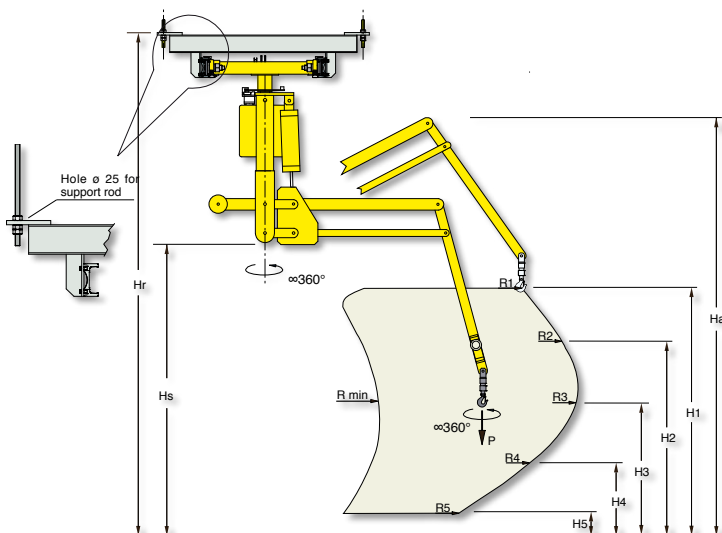
Partner PS overhead mounted - PSF



PARTNER PS overhead mounted "PSF"				
		Normal	Extended	Reinforced
Max weight capacity (P)	Kg 100			
	Kg 150			
	Kg 200			
	Kg 250			
Ha	mm	3700	3800	4050
Hm	mm	3850	3850	4100
Hs	mm	2350	2350	2600
R min	mm	600	800	1000
R1	mm	1900	2100	2650
R2	mm	2200	2500	2900
R3 max	mm	2200	2500	2900
R4	mm	1800	2200	2550
R5	mm	1300	1800	2150
H1	mm	1900	2000	2000
H2	mm	1500	1500	1370
H3	mm	1000	1000	950
H4	mm	500	500	550
H5	mm	150	100	100
Air supply		Dry and oil-free compressed air min constant 0.7÷0.8 MPa		

Configuration and measurements may change upon the Customer's specific requirements

Partner PS overhead trolley mounted - PSS



PARTNER PS overhead trolley mounted "PSS"				
		Normal	Extended	Reinforced
Max weight capacity (P)	Kg 100			
	Kg 150			
	Kg 200			
	Kg 250			
Ha	mm	3700	3800	4050
Hr	mm	4200	4200	4450
Hs	mm	2350	2350	2600
R min	mm	600	800	1000
R1	mm	1900	2100	2650
R2	mm	2200	2500	2900
R3 max	mm	2200	2500	2900
R4	mm	1800	2200	2550
R5	mm	1300	1800	2150
H1	mm	1900	2000	2000
H2	mm	1500	1500	1370
H3	mm	1000	1000	950
H4	mm	500	500	550
H5	mm	150	100	100
Air supply		Dry and oil-free compressed air min constant 0.7÷0.8 MPa		